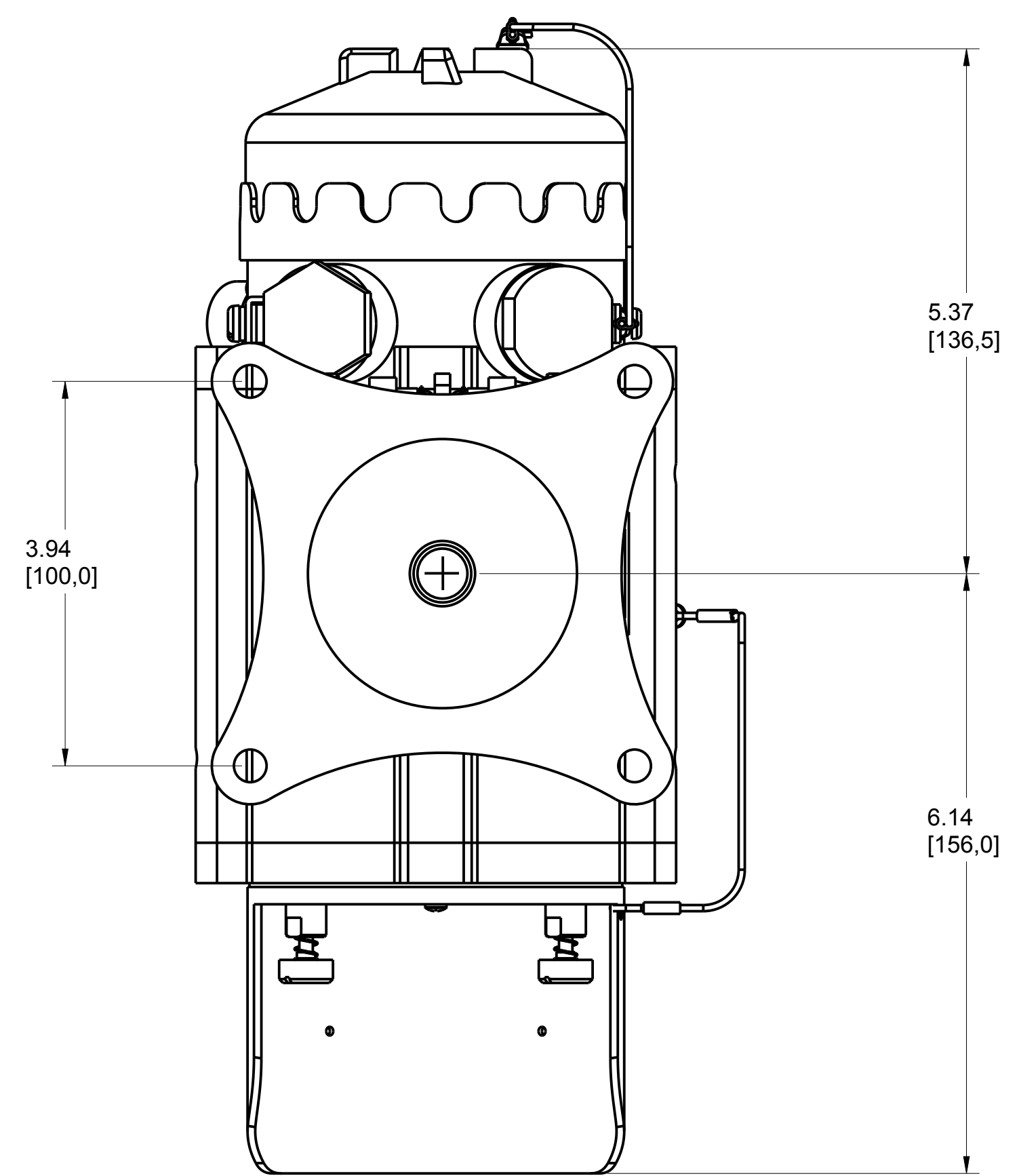
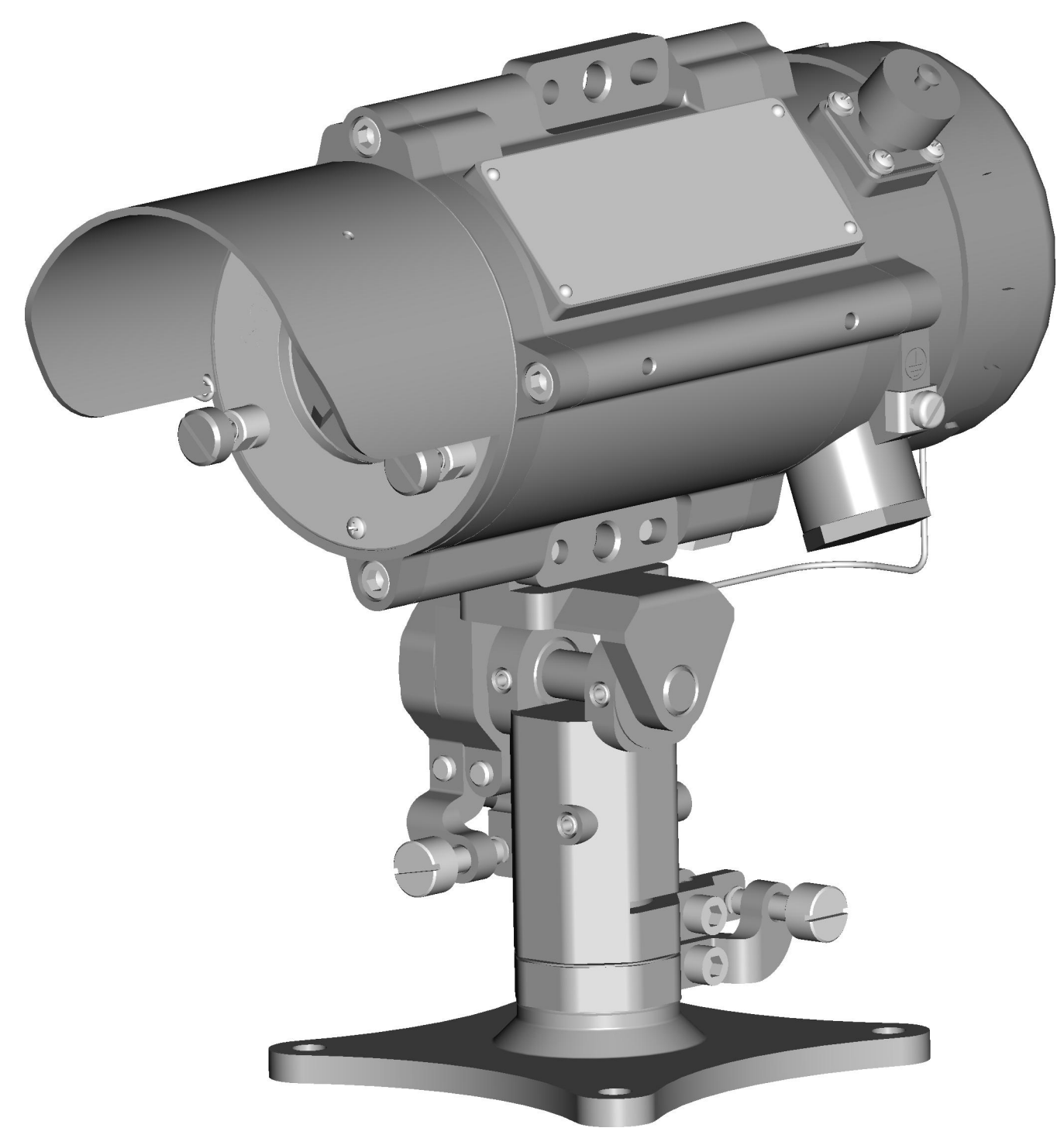
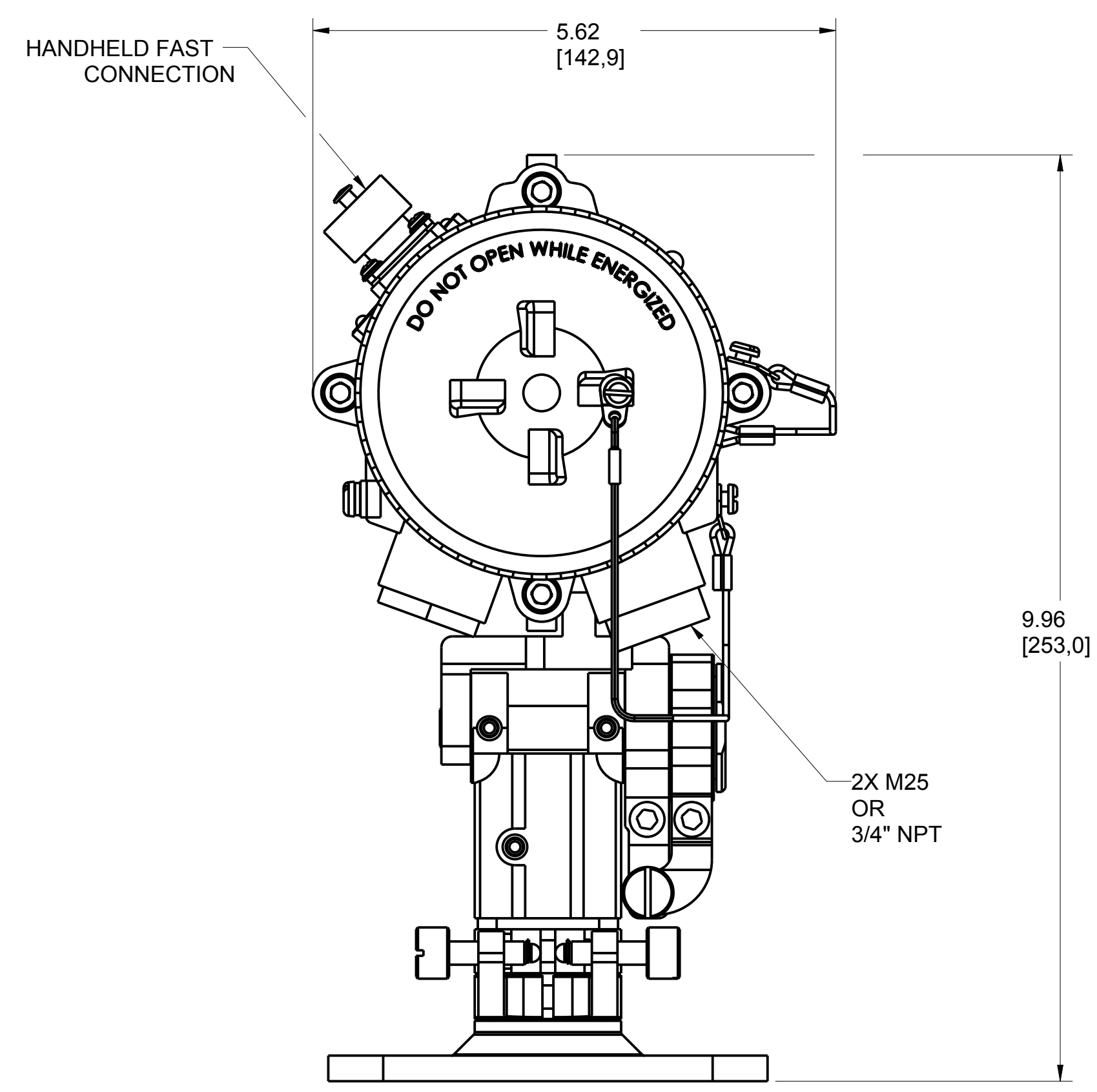
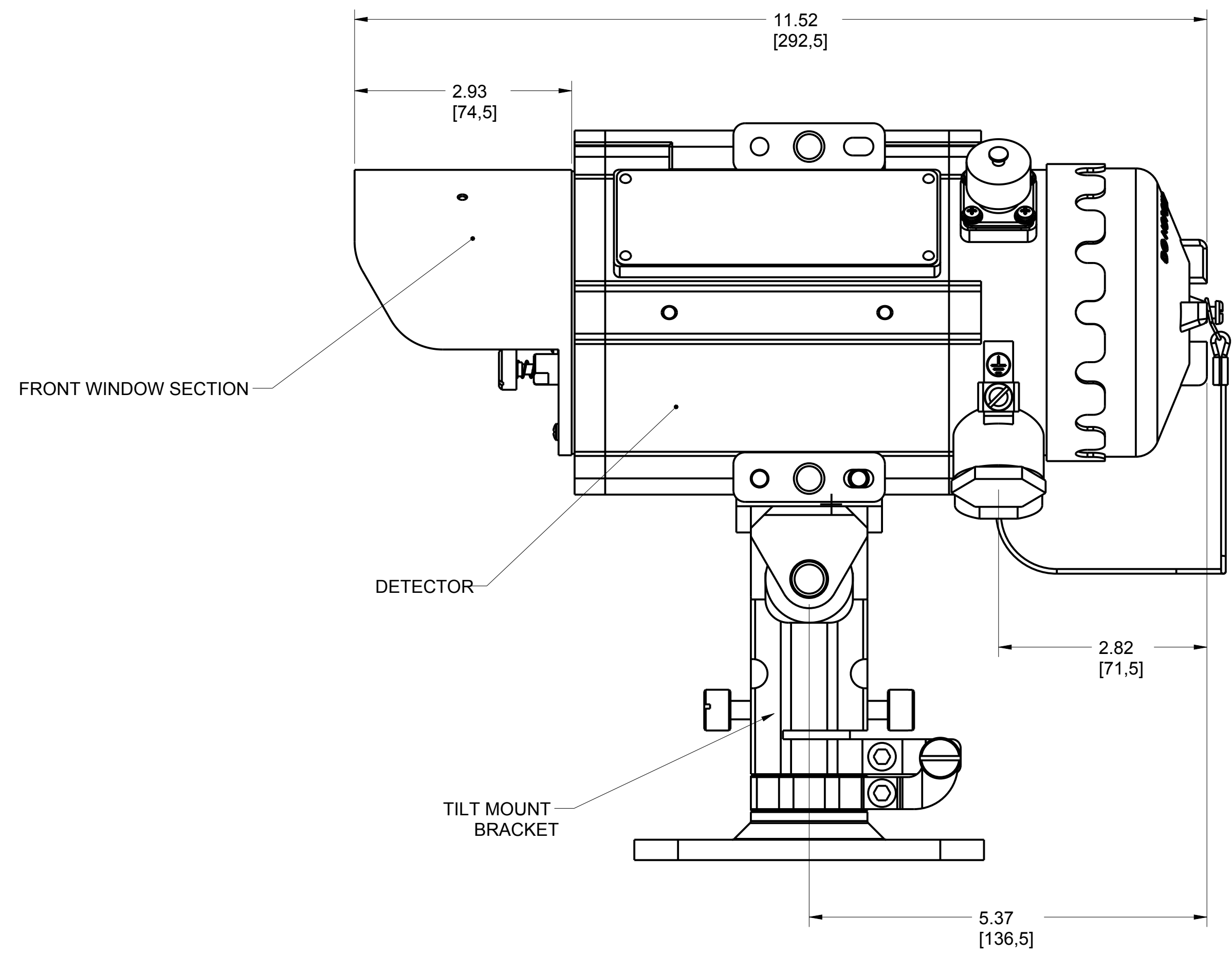


MODEL 900 OPEN PATH GAS DETECTOR AND TILT MOUNT ASSEMBLY DETECTOR UNIT

REVISION TABLE			
REVISION	ECO NO.	APP'D	DATE
AA	RTCXXXXXX	AA	9/15/17
DESCRIPTION			
NEW RELEASE			



©2015 ROSEMOUNT INC.
ROSEMOUNT INC. CERTIFIES
THIS DRAWING IS MADE
IN ACCORDANCE WITH
ROSEMOUNT ENGINEERING
SPECIFICATIONS.
UNIT NOTES IN INCHES (mm).
REFERENCE ROSEMOUNT
PRODUCT SPECIFICATIONS.
CLICK HERE

3RD ANGLE SIZE D SCALE NTS

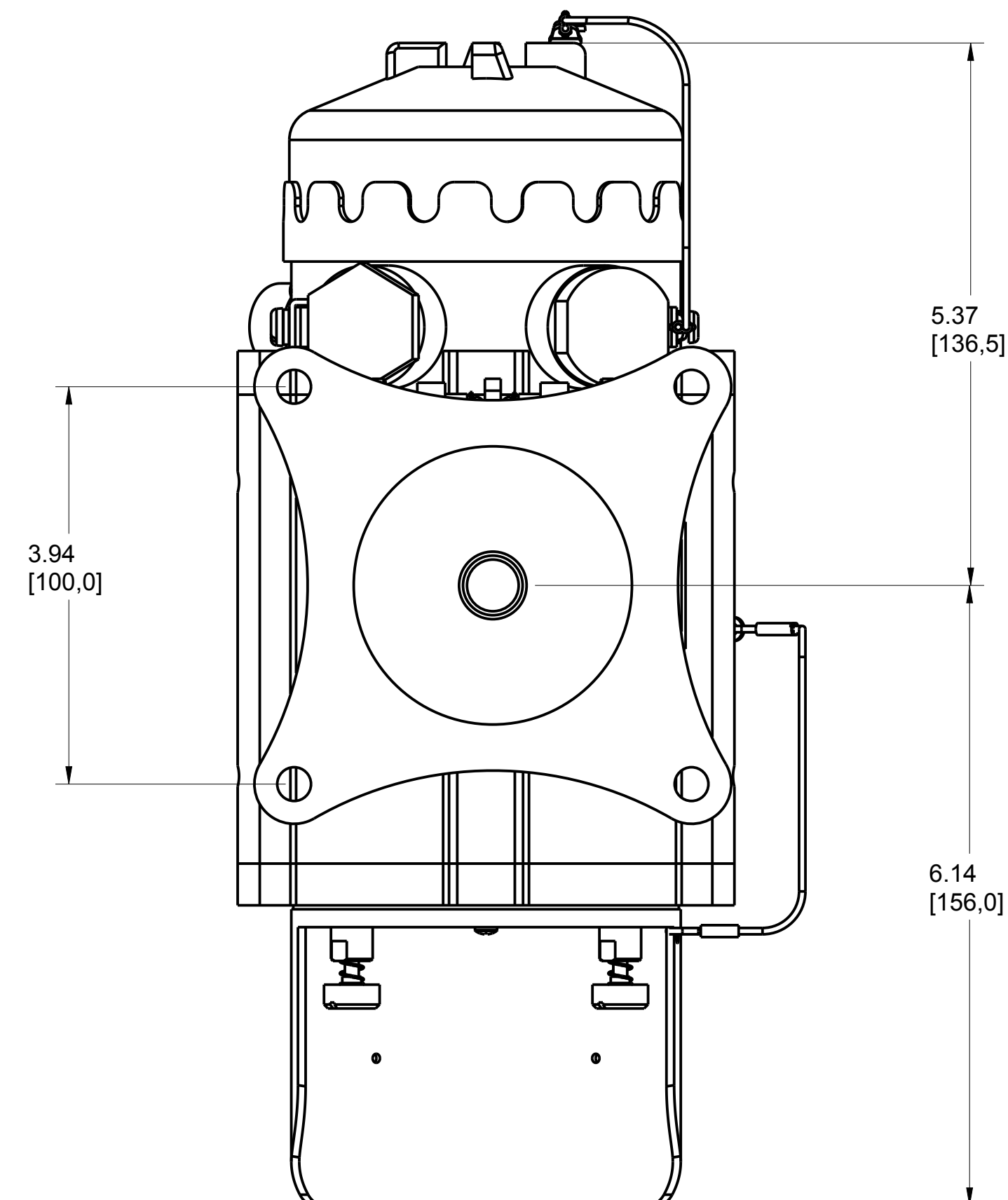
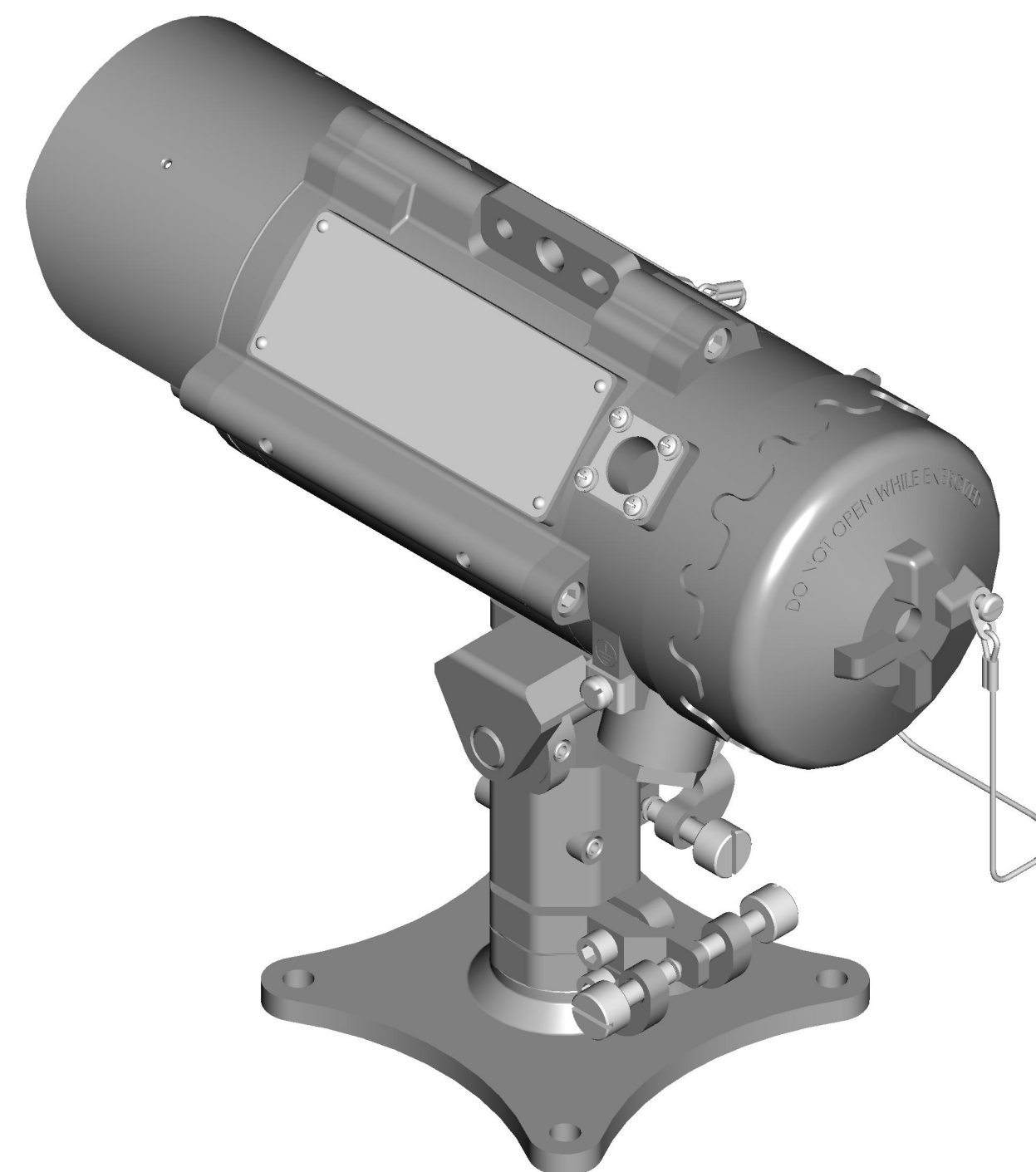
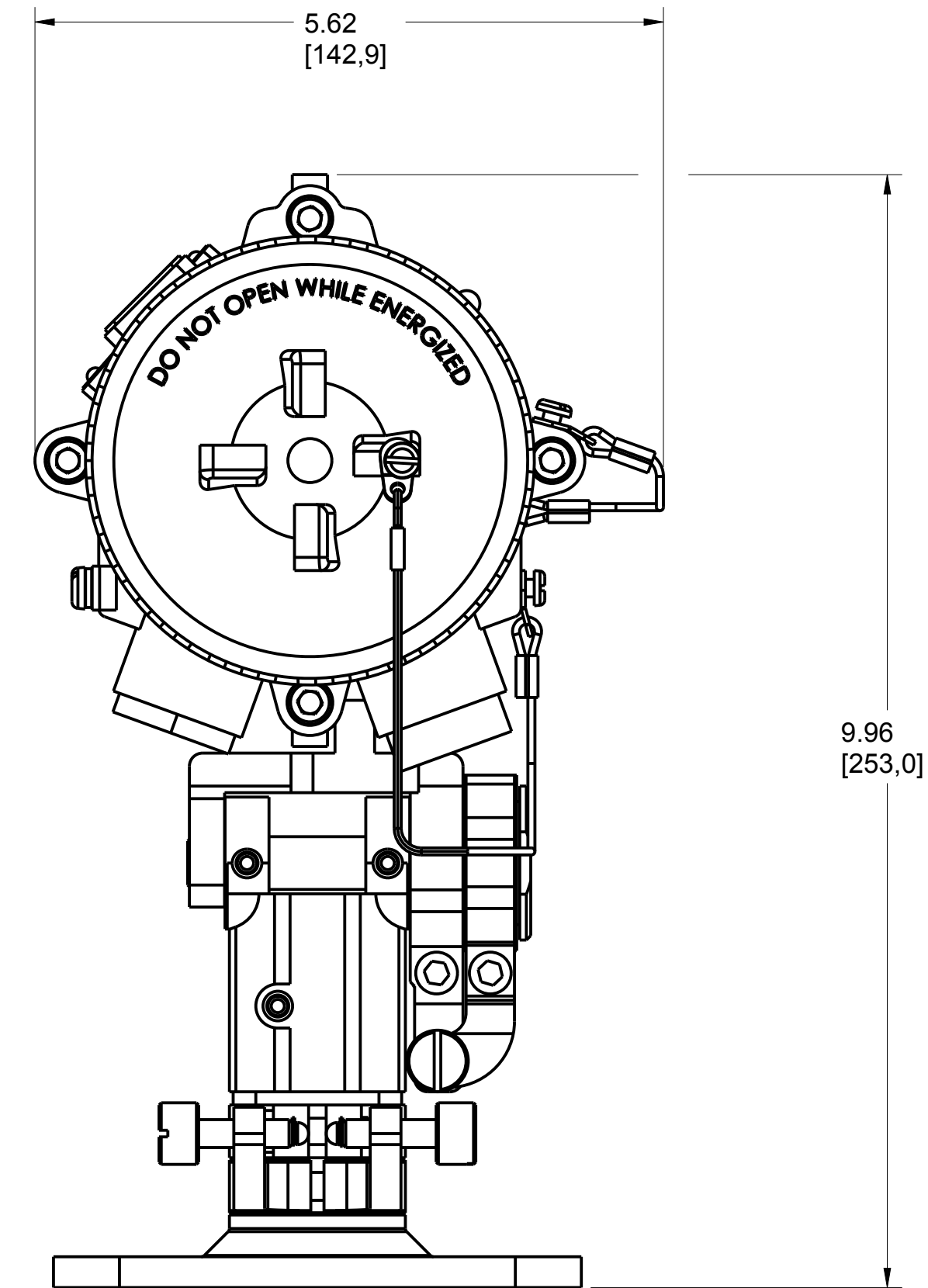
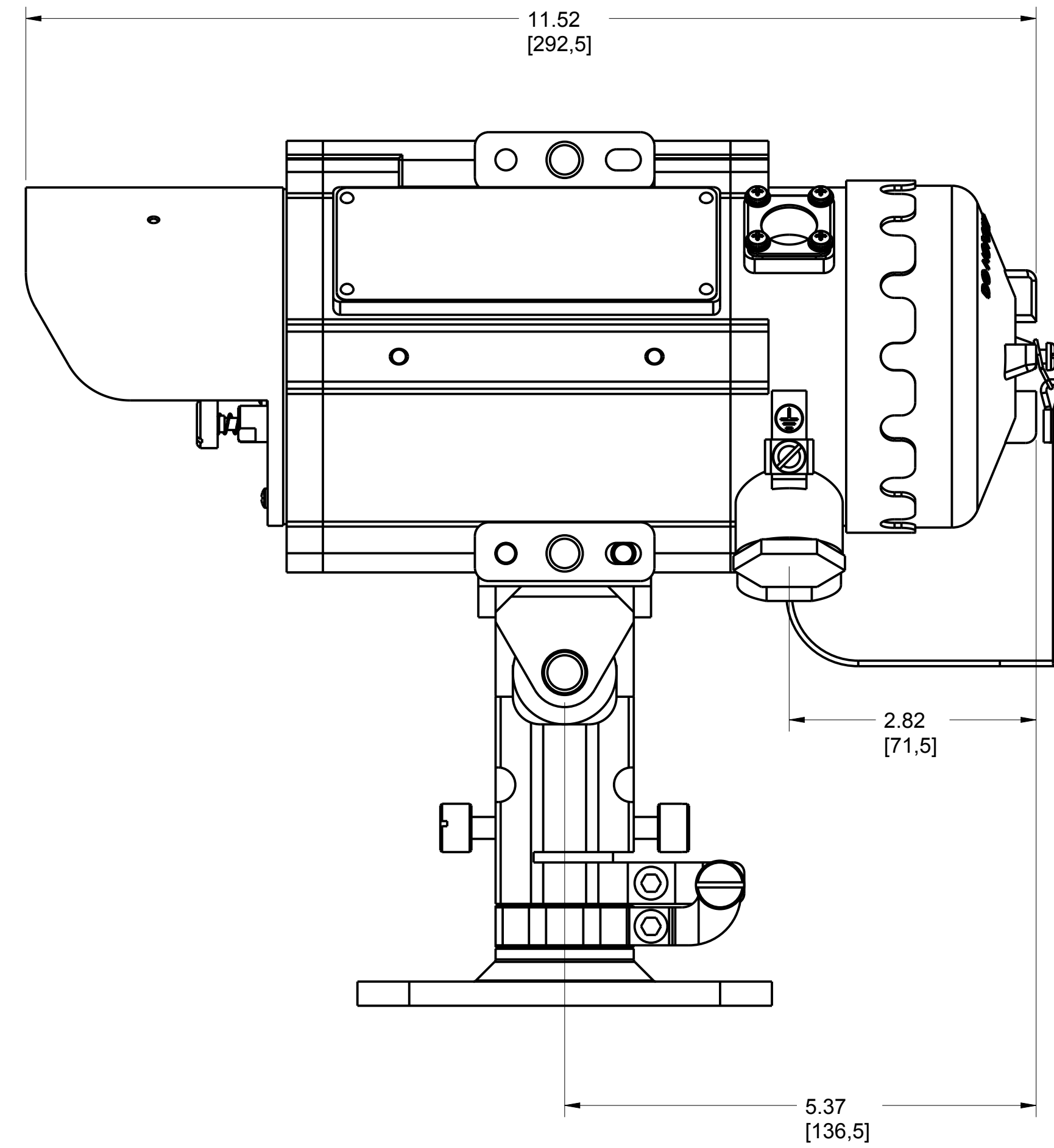
EMERSON

TITLE SPECTREX 900 SERIES
TYPE I DRAWING

DR. J. ARMSTRONG	9/15/17	DRAWING NO.	00900-7000
APP'D N. KRENZ	9/15/17		

CAD MAINTAINED, (PROE) SHEET 1 OF 3

MODEL 900 SERIES SST GAS DETECTOR AND TILT MOUNT ASSEMBLY
FLASH SOURCE UNIT



©2015 ROSEMOUNT INC.
ROSEMOUNT INC. CERTIFIES
THIS DRAWING IS CORRECT
IN ACCORDANCE WITH
ROSEMOUNT ENGINEERING
SPECIFICATIONS.
UNIT NOTES IN INCHES (mm).
REFERENCE ROSEMOUNT
PRODUCT SPECIFICATIONS.
CLICK HERE

3RD ANGLE

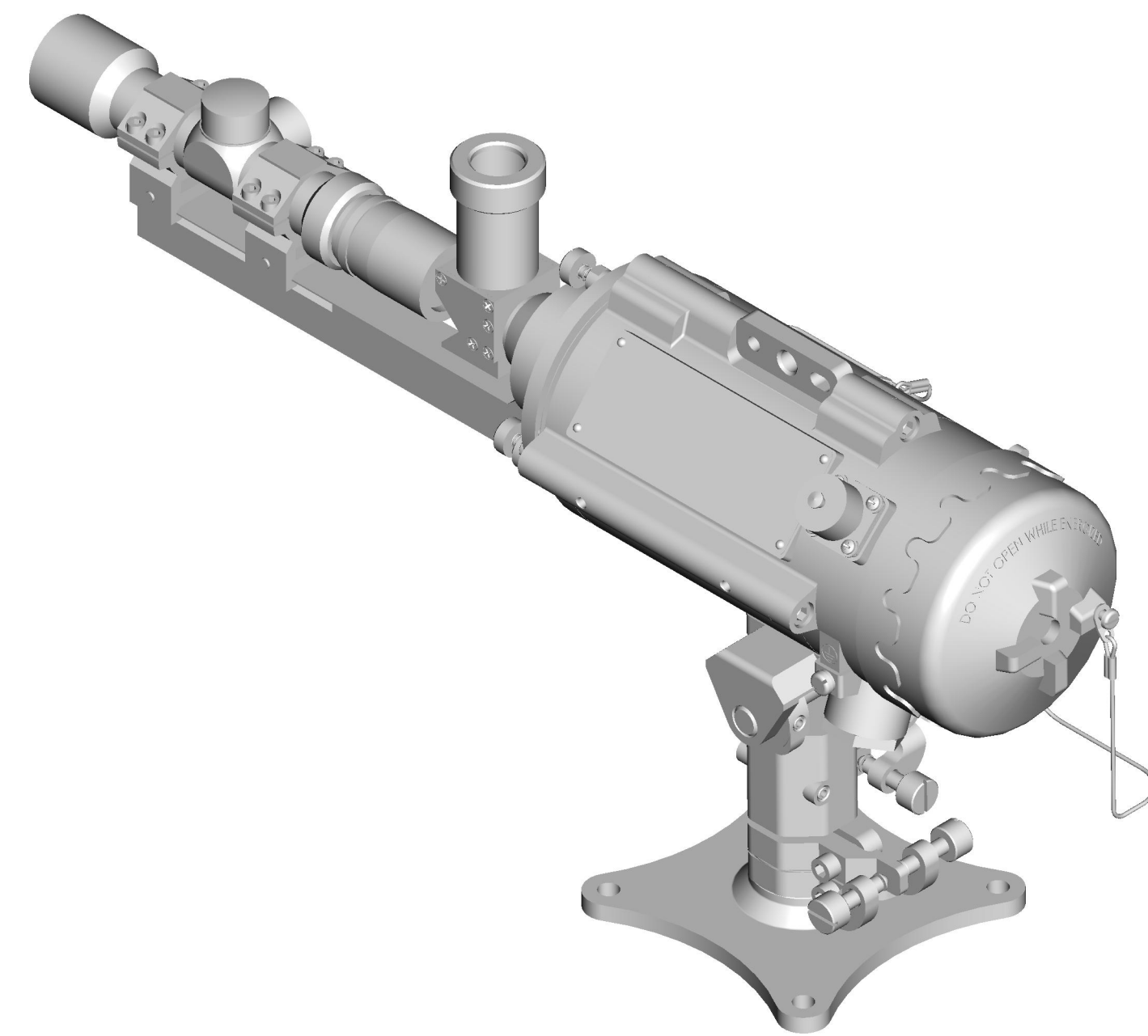
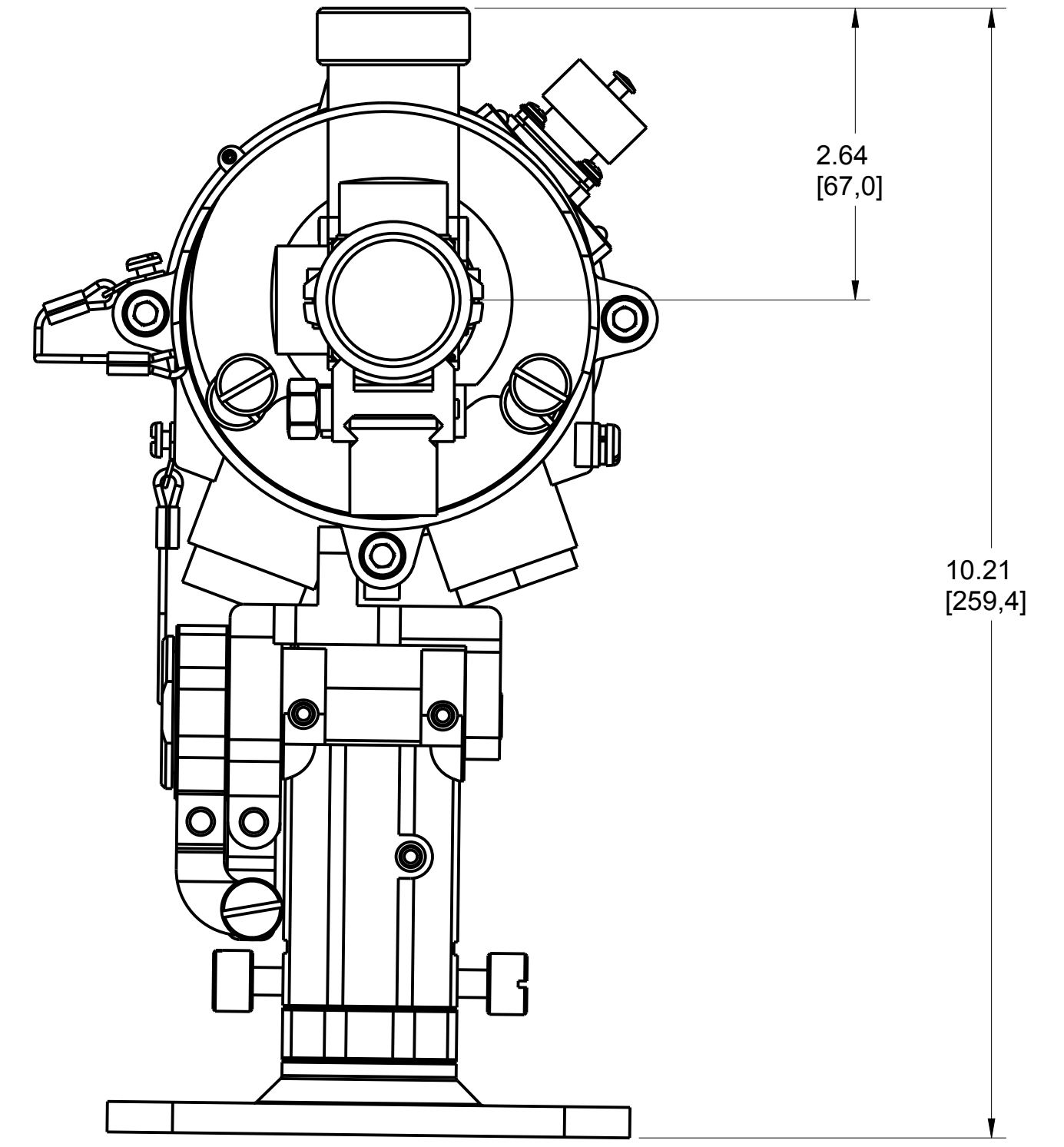
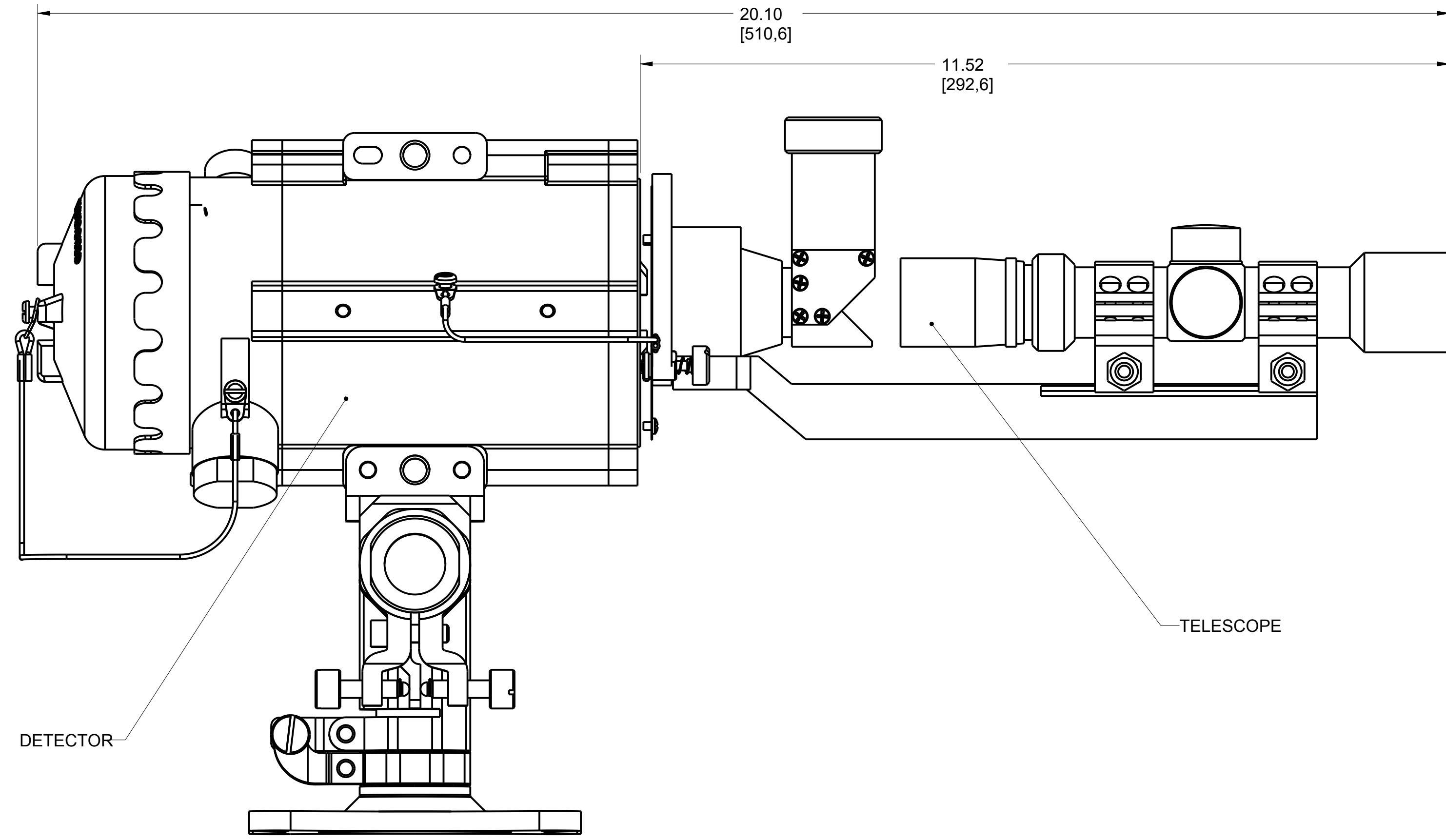
EMERSON

TITLE SPECTREX 900 SERIES
TYPE I DRAWING

DR. J. ARMSTRONG	9/15/17	DRAWING NO.	00900-7000
APP'D N. KRENZ	9/15/17		

CAD MAINTAINED, (PROE) SHEET 2 OF 3

MODEL 900 SERIES GAS DETECTOR AND TILT MOUNT ASSEMBLY
WITH TELESCOPE MOUNT



©2015 ROSEMOUNT INC. ROSEMOUNT INC. CERTIFIES THIS DRAWING IS MADE IN ACCORDANCE WITH ROSEMOUNT ENGINEERING SPECIFICATIONS. UNIT NOTES IN INCHES (mm). REFERENCE ROSEMOUNT PRODUCT SPECIFICATIONS. CLICK HERE	3RD ANGLE	SIZE D	SCALE NTS
	TITLE SPECTREX 900 SERIES TYPE I DRAWING		
	DR. J. ARMSTRONG 9/15/17 APPD N. KRENZ 9/15/17	DRAWING NO. 00900-7000	
CAD MAINTAINED, (PROE)		SHEET 3 OF 3	