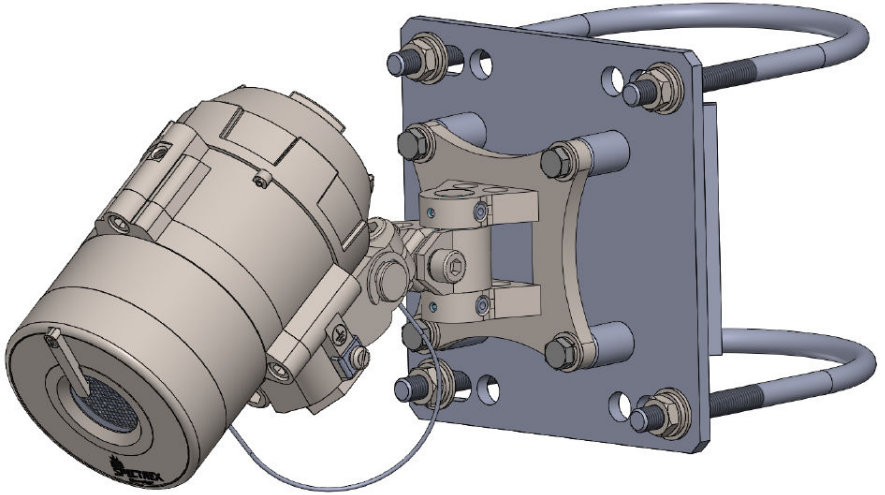


Spectrex SharpEye™ 40/40

Pole Mount



Legal notice

The device described in this document is the property of Emerson.

No part of the hardware, software, or documentation may be reproduced, transmitted, transcribed, stored in a retrieval system, or translated into any language or computer language, in any form or by any means, without prior written permission of Emerson.

While great efforts have been made to ensure the accuracy and clarity of this document, Emerson assumes no liability resulting from any omissions in this document or from misuse of the information obtained herein. The information in this document has been carefully checked and is believed to be entirely reliable with all of the necessary information included. Emerson reserves the right to make changes to any products described herein to improve reliability, function, or design and reserves the right to revise this document and make changes from time to time in content hereof with no obligation to notify any persons of revisions or changes. Emerson does not assume any liability arising out of the application or any use of any product or circuit described herein; neither does it convey license under its patent rights or the rights of others.

⚠ WARNING

Physical access

Unauthorized personnel may potentially cause significant damage to and/or misconfiguration of end users' equipment. This could be intentional or unintentional and needs to be protected against.

Physical security is an important part of any security program and fundamental to protecting your system. Restrict physical access by unauthorized personnel to protect end users' assets. This is true for all systems used within the facility.

Contents

General description.....	3
Installation.....	4
Specifications.....	9

1 General description

The Pole Mount is suitable for use with all optical flame detectors.

Optical flame detectors often require mounting in areas where there is not a flat surface to mount on. In these cases, the operator can use the Pole Mount to affix the detector to a pole.

The Pole Mount is available in three sizes for different pole diameters, as detailed in [Table 1-1](#).

Table 1-1: Pole Mount Options

Pole diameter	Part number
2 in. (50.8 mm)	789260-2
3 in. (76.2 mm)	789260-1
4 in. (101.6 mm)	789260-3

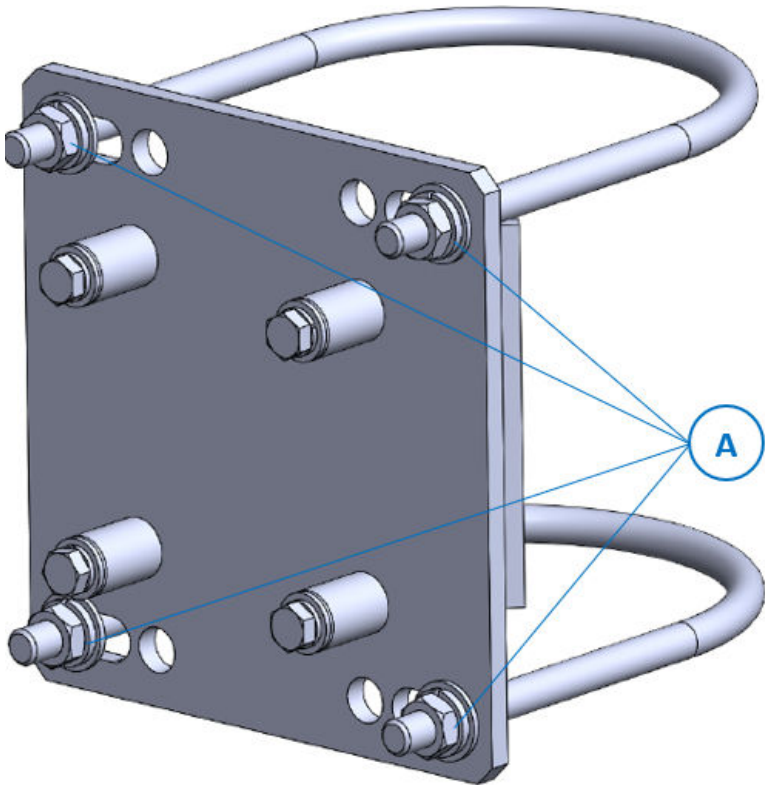
2 Installation

2.1 Prepare the Pole Mount

Procedure

Unscrew all four sets of nuts and spring washers.

Figure 2-1: Preparing the Pole Mount



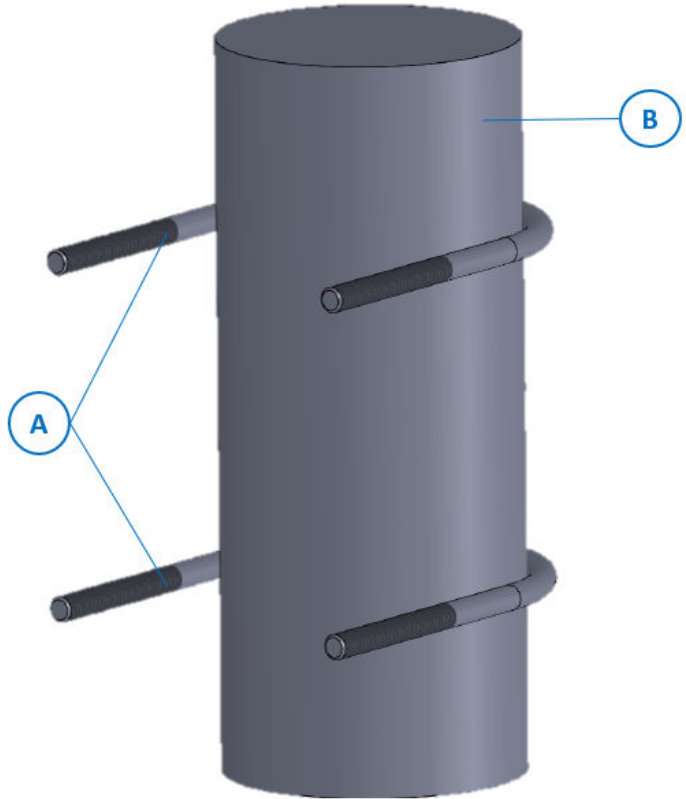
A. Nuts and spring washers

2.2 Affix the Pole Mount to the pole

Procedure

1. Place the U-bolts around the pole.

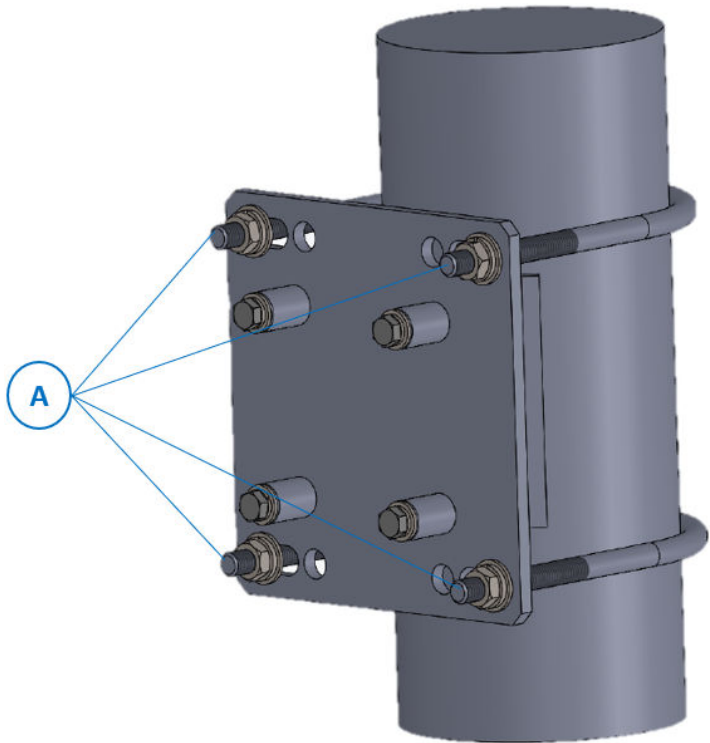
Figure 2-2: Affixing the Pole Mount to the Pole



- A. U-bolts
 - B. Pole
-

2. Attach the closing plate to the U-bolts and tighten the nuts and spring washers.

Figure 2-3: Securing the Pole Mount

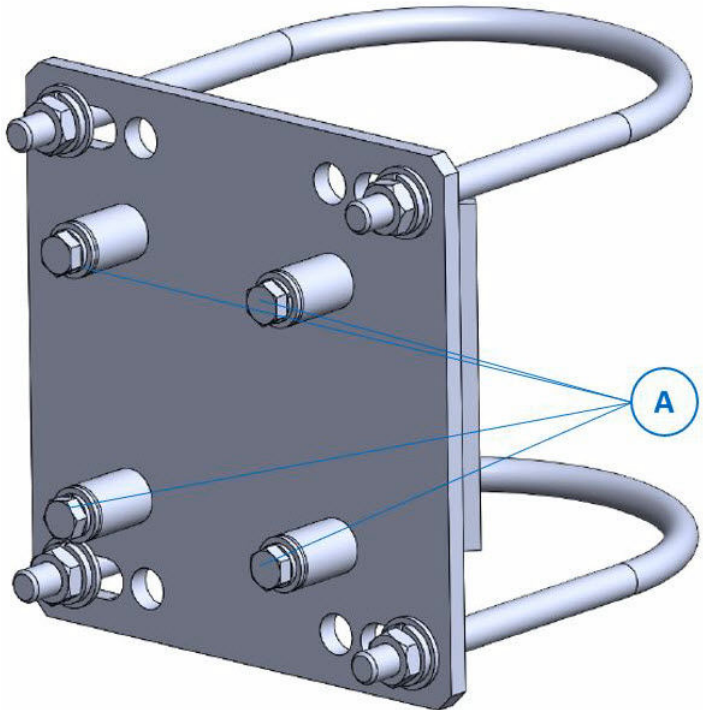


A. Nuts and spring washers

2.3 Affix the Tilt Mount to the Pole Mount

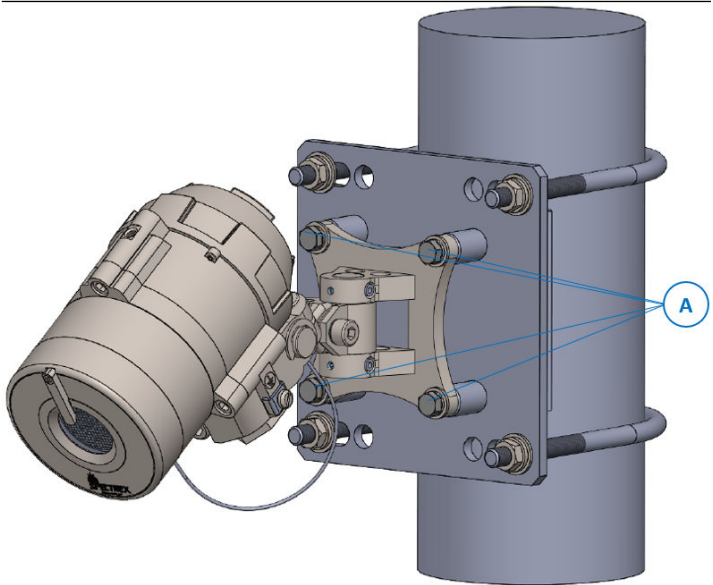
Procedure

1. Loosen the four screws.



A. Four screws

2. Place the Tilt Mount on top of the Pole Mount and affix by tightening the four screws.



A. Four screws

3 Specifications

Dimensions	789260-2: 93 x 61 mm 789260-1: 128 x 90 mm 789260-3: 156 x 114 mm
Weight	4.85 lb. (2.2 kg)
Material	Stainless steel 316L



Quick Start Guide
00925-1200-9975, Rev. AA
April 2021

For more information: www.emerson.com

©2021 Emerson. All rights reserved.

Spectrex is a mark of one of the Emerson family of companies. All other marks are the property of their respective owners.

