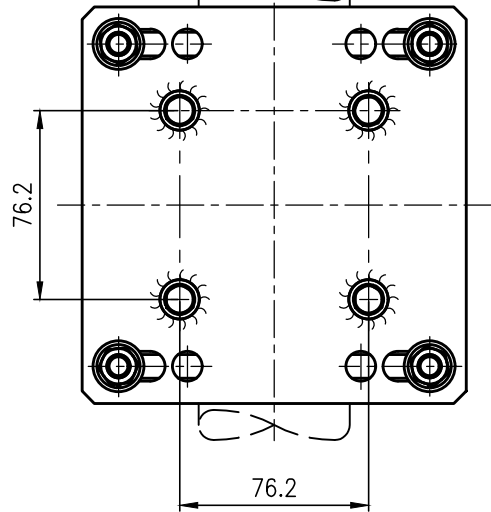
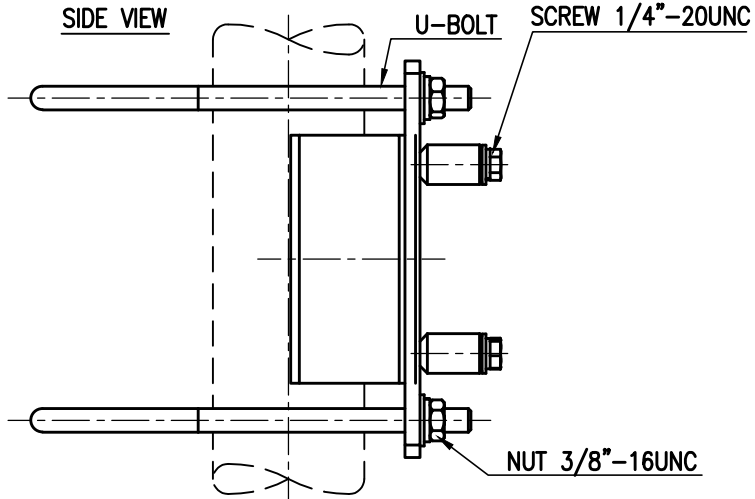


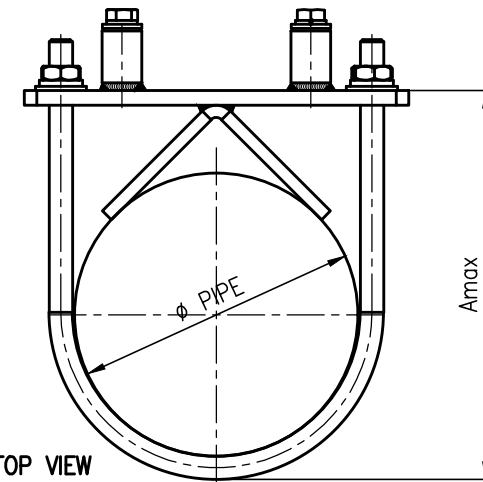
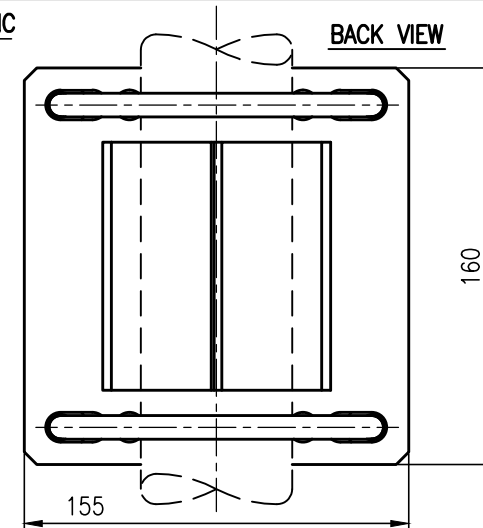
FRONT VIEW



SIDE VIEW



BACK VIEW



BRACKET ASSY PART NO.	Amax	ø PIPE
789260-1	128	90±0.5 (3")
789260-2	93	61±0.5 (2")
789260-3	156	114±0.5 (4")

Ka	07.07.19	Gorelik	Mila
J	18.06.17		

SYM.	DESCRIPTION	DATE	APPROVAL	ITEM	QUAN	PART NO.	CAT. NO.	DESCRIPTION
REVISIONS				PARTS LIST				

TOLERANCES		SCALE	1:2
MM	DEGREES	TRACED	M.V. 05.11.07.
MATERIAL		DRAWN	NELA 01.05.08.
St.St.-316L		CHECKED	
		SUBMITTED	
		APPROVED	
NEXT ASSY			

DIMENSIONS ARE IN MM	
SURFACE TEXTURE AS PER ANSI-B46.1	

SPECTREX

BRACKET ASSY FOR PIPE

SIZE	B	DWG. NO.	OL-789260	SHEET	_____	OF	_____
------	---	----------	-----------	-------	-------	----	-------