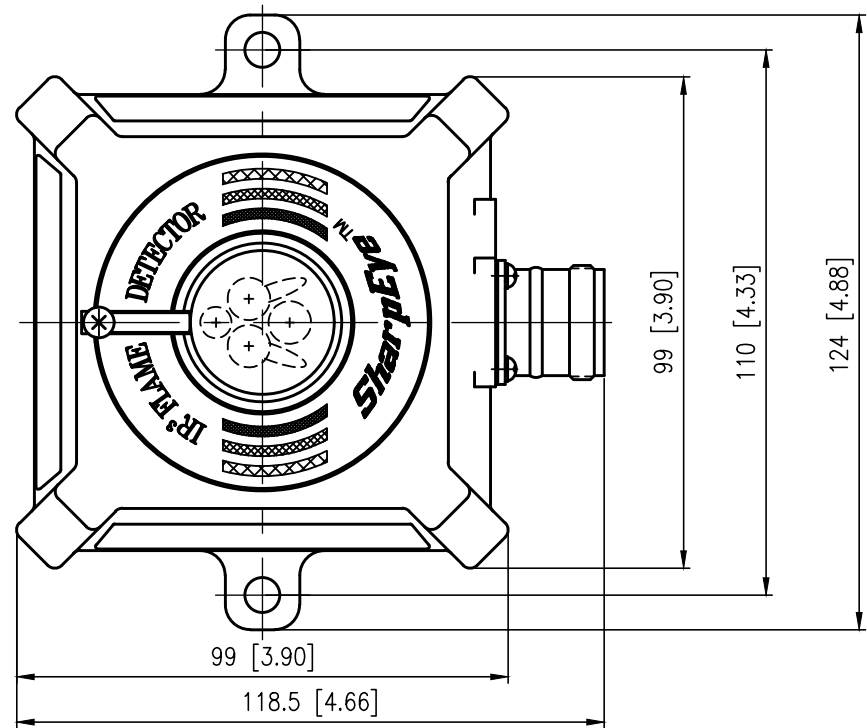


99-4607-00-12  
CONNECTOR MFR "BINDER"



| DWG. NO. | MODEL NO. | WEIGHT | MATERIAL | P/N          |
|----------|-----------|--------|----------|--------------|
| 787702-1 | 20-20MI   | 1.2 Kg | St.St.   | 20/20MI-12SF |
| 787702-2 |           |        |          | 20/20MI-32SF |

| SYM. | DESCRIPTION | DATE     | APPROVAL  |
|------|-------------|----------|-----------|
| Aa   | ECO02065    | 15.11.17 | IZOTOV E. |

| SYM. | DESCRIPTION | DATE | APPROVAL | ITEM | QUAN | PART NO. | CAT. NO. | DESCRIPTION |
|------|-------------|------|----------|------|------|----------|----------|-------------|
|------|-------------|------|----------|------|------|----------|----------|-------------|

REVISIONS

PARTS LIST

| TOLERANCES | DEGREES |
|------------|---------|
| MM         |         |
| MATERIAL   |         |
|            |         |
|            |         |
| NEXT ASSY  |         |

|           |                    |          |
|-----------|--------------------|----------|
| SCALE     | 1:1                |          |
| TRACED    | SHAUL              | 13.04.15 |
| DRAWN     | ELENA              | 13.04.15 |
| CHECKED   | SERERO S.          | 15.11.17 |
| SUBMITTED | MAMAN A.           |          |
| APPROVED  | SERERO S. 15.11.17 |          |

DIMENSIONS ARE IN MM  
SURFACE TEXTURE AS PER ANSI-B46.1

**SPECTREX**

IR/3 DETECTOR ASSY

|      |   |          |           |       |   |    |   |
|------|---|----------|-----------|-------|---|----|---|
| SIZE | B | DWG. NO. | 0L-787702 | SHEET | 1 | OF | 1 |
|------|---|----------|-----------|-------|---|----|---|