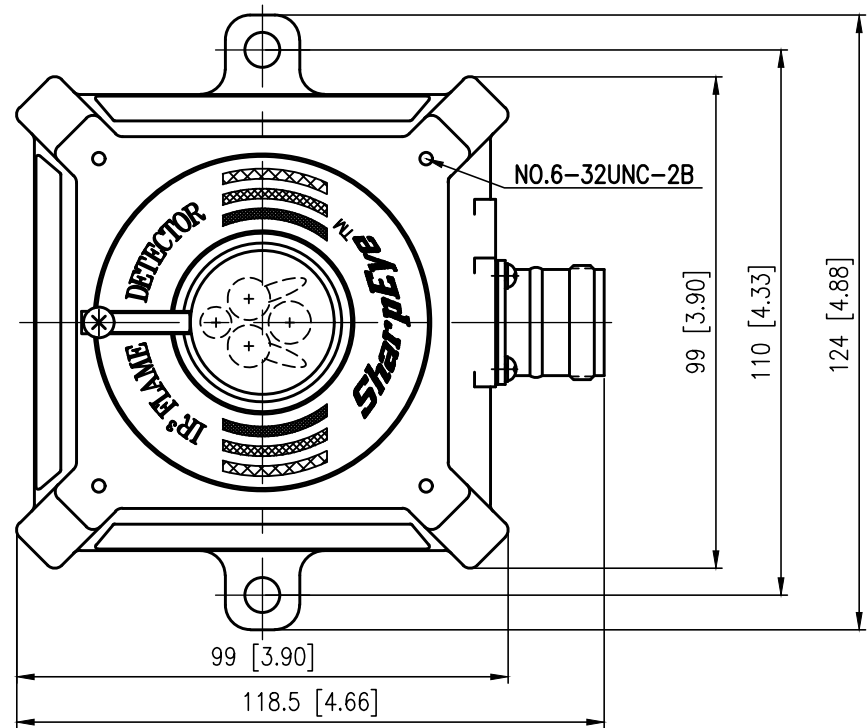


99-4607-00-12  
CONNECTOR MFR "BINDER"



DWG. NO.	WEIGHT	MATERIAL	P/N
787702-3	1.2 Kg	St.St. 316L	20/20MI-12SF
787702-4			20/20MI-32SF

SYM.	DESCRIPTION	DATE	APPROVAL
Aa	ECO02065	15.11.17	IZOTOV E.

SYM.	DESCRIPTION	DATE	APPROVAL	ITEM	QUAN	PART NO.	CAT. NO.	DESCRIPTION
------	-------------	------	----------	------	------	----------	----------	-------------

REVISIONS

PARTS LIST

TOLERANCES	DEGREES
MM	
MATERIAL	
NEXT ASSY	

SCALE	1:1	
TRACED	SHAUL	29.06.15
DRAWN	ELENA	29.06.15
CHECKED	SERERO S.	15.11.17
SUBMITTED	MAMAN A.	
APPROVED	SERERO S. 15.11.17	

DIMENSIONS ARE IN MM  
SURFACE TEXTURE AS PER ANSI-B46.1

**SPECTREX**

IR/3 DETECTOR ASSY

SIZE	B	DWG. NO.	0L-787702-3	SHEET	1	OF	1
------	---	----------	-------------	-------	---	----	---