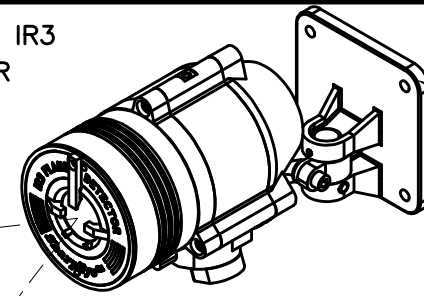
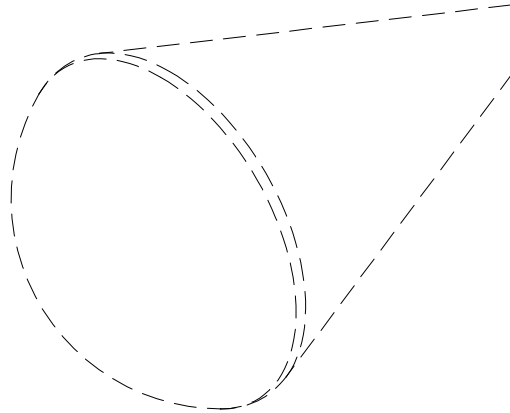


SPECTREX SHARPE IR3  
FLAME DETECTOR

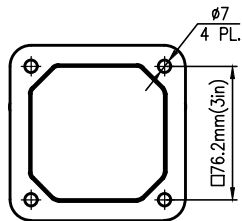


MOUNT AS HIGH AS POSSIBLE.  
THERE MUST BE AN UNOBSTRUCTED  
CONE OF VISION TO EQUIPMENT  
BEING OBSERVED.

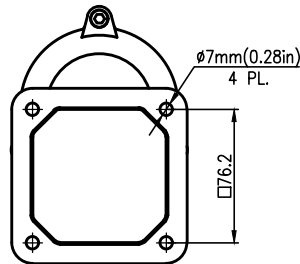


FOR THE RANGE AND RESPONSE SEE USER'S  
AND MAINTENANCE MANUAL DOC. NO. TM 40/40I.

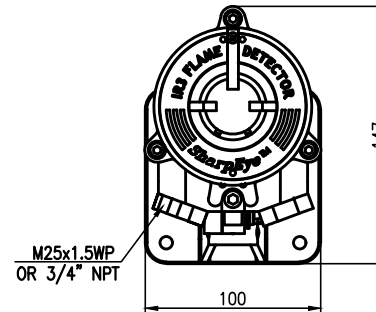
BASE MOUNTING DETAIL



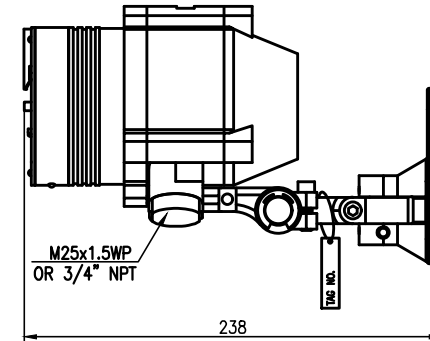
BACK



FRONT



SIDE VIEW



NOTES:

1. FOR DETAIL BOX DIMENSIONS SIZE AND QUANTITY OF THE FITTING HOLES, ETC. REFER TO THE SUPPLIED DATA SHEET.
2. FOR LOCATION OF THE DEVICES SHOWN ON THIS DRAWING, SEE THE DEVICE LAYOUT AND LOOP DEVICE DRAWINGS.
3. TO ASSURE PROPER MOUNTING OF THE DEVICES SHOWN ON THIS DRAWING, THE SUPPLIED EQUIPMENT MANUAL AND DATA SHEET SHOULD BE THOROUGHLY READ BEFORE PROCEEDING WITH THE INSTALLATION.

Aa		ECO02065	24.09.17	IZOTOV E.							
SYL	DESCRIPTION	DATE	APPROVAL	ITEM	QTY	PART NO.	CAT. NO.	DESCRIPTION			
REVISIONS				PARTS LIST							
TOLERANCES		SCALE 1:2		DIMENSIONS ARE IN MM		 <b>40/40 IR3 DET+TILT</b>					
MM	DEGREES	TRACED	SHAUL	26.06.13	SURFACE TEXTURE AS PER ANSI-B46.1						
MATERIAL		DRAWN	ELENA	26.06.13			SIZE		Dwg. No.		
		CHECKED	SERERO S.	24.09.17			C		OL777802-4		
		SUBMITTED		MAMAN A.				SHEET		1	
		APPROVED		SERERO S. 24.09.17				OF		1	
NEXT ASSY											