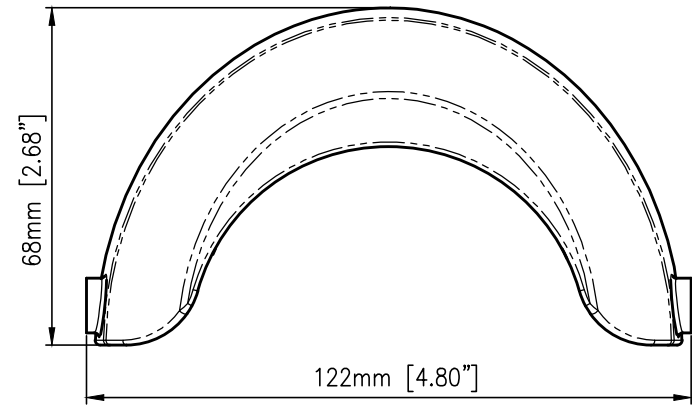
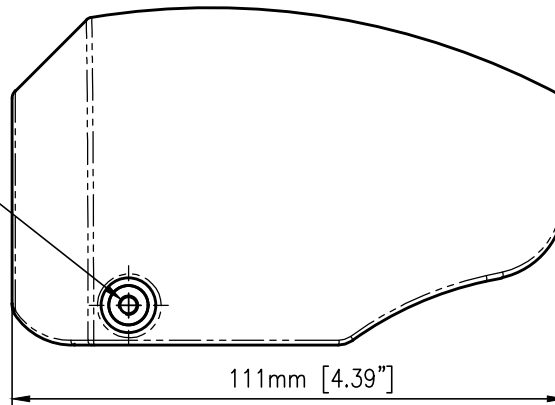


M4x07 -2 PL



MATERIAL: PC-MAKROLON 2407.

WEIGHT: 0.075Kg. [0.16Lb]

Aa		05.08.19	IZOTOV E.

SYM.	DESCRIPTION	DATE	APPROVAL	ITEM	QUAN	PART NO.	CAT. NO.	DESCRIPTION
REVISIONS				PARTS LIST				

TOLERANCES	
MM /	DEGREES /
MATERIAL	/
NEXT ASSY	

SCALE	1:1	
TRACED	PITER	14.12.15
DRAWN	MILA	14.12.15
CHECKED		
SUBMITTED		
APPROVED		

DIMENSIONS ARE IN MM

SURFACE TEXTURE AS PER ANSI-B46.1

SPECTREX

WEATHER PROTECTOR

SIZE	B	DWG. NO.	OL-768005	SHEET	1	OF	1
------	---	----------	-----------	-------	---	----	---